

CDE

High Voltage AC & DC Film Capacitors

FOR POWER ELECTRONICS APPLICATIONS

RoHS COMPLIANT



Intelligent Capacitor Solutions



Cornell Dubilier can address all your capacitor needs. The higher voltage ratings and rugged construction of our high voltage AC & DC film capacitors make them suitable for applications beyond the capabilities of general purpose units. They are available as standard items in many configurations to address a wide range of needs.

All capacitors are built using Lean Six Sigma manufacturing practices and undergo rigorous quality assurance testing. If you have specialized needs, our flexible manufacturing processes allow us to quickly provide custom configurations.



CDE provides intelligent capacitor solutions.



High Voltage AC & DC Film Capacitors

FOR POWER ELECTRONICS APPLICATIONS



CDE high voltage capacitors are constructed with metallized polypropylene film and are available in round or oval aluminum cases with four-blade quick disconnect terminals as standard. Special terminals and steel cases are available on request.

Highlights

- High voltage up to 1,200 VAC (2,000 VDC)
- UL and cUL file number E51176
- Designed for >60,000 hours operational life
- Oil-filled with an environmentally "green" fluid
- Pressure interrupter meets UL810 requirements

Applications

- Switching Power Supply
- Inverters / Converters
- Heavy Duty Motor Run
- High Current Lighting
- UPS Systems



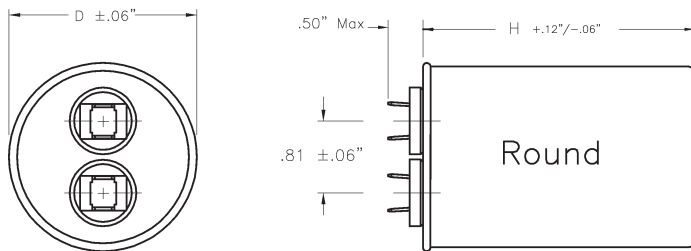
Specifications

Capacitance Range:	0.25 μ F to 80 μ F*
Capacitance Tolerance:	\pm 3% to \pm 10%
AC Voltage Range:	660 VAC to 1,200 VAC*
DC Voltage Range:	1,200 VDC to 2,000 VDC
Operating Temperature:	-40°C to +90°C
Dissipation Factor:	0.1% max @ 60 Hz and 25°C
Insulation Resistance (IR):	>1,000 M Ω x μ F
Withstand Voltage:	Terminal to terminal 1.75 x WVAC Terminal to case 2.0 WVAC + 1 kVAC
Capacitance Stability:	\pm 3% throughout life
Insulated Bushings:	High cup standard over 1,000 VAC (1,750 VDC)
Approval Recognition:	UL, cUL, File# E51176

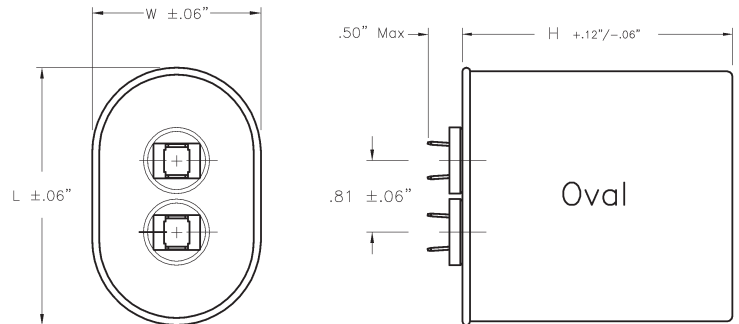
*Inquire about special ratings

Outline Drawings

Round Can – Low Cup



Oval Can – Low Cup

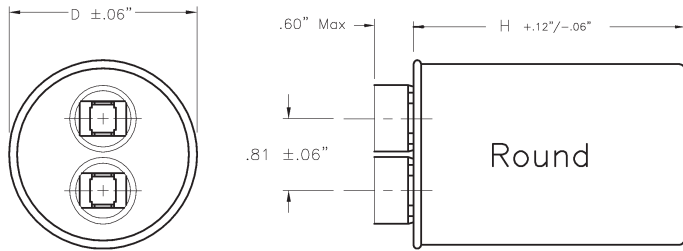


High Voltage AC & DC Film Capacitors

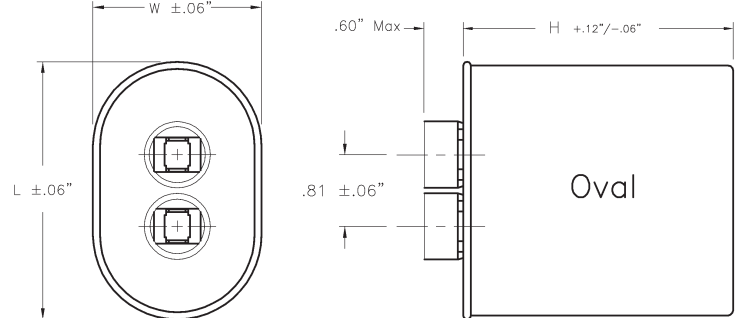
FOR POWER ELECTRONICS APPLICATIONS

Outline Drawings

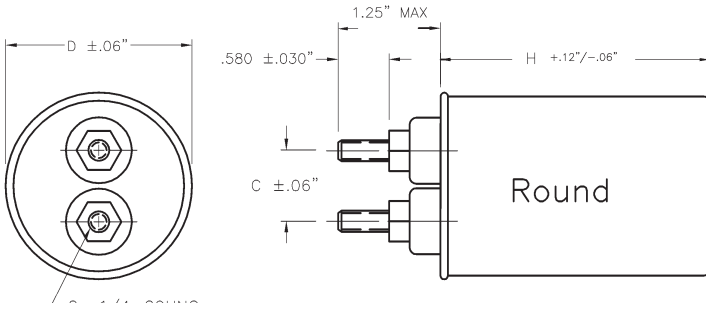
Round Can – High Cup



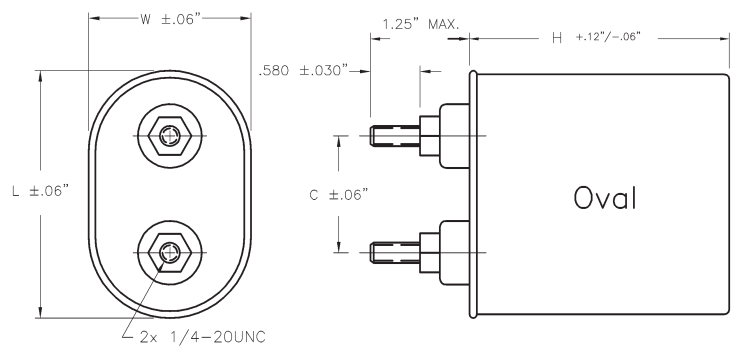
Oval Can – High Cup



Round Can – Studs



Oval Can – Studs

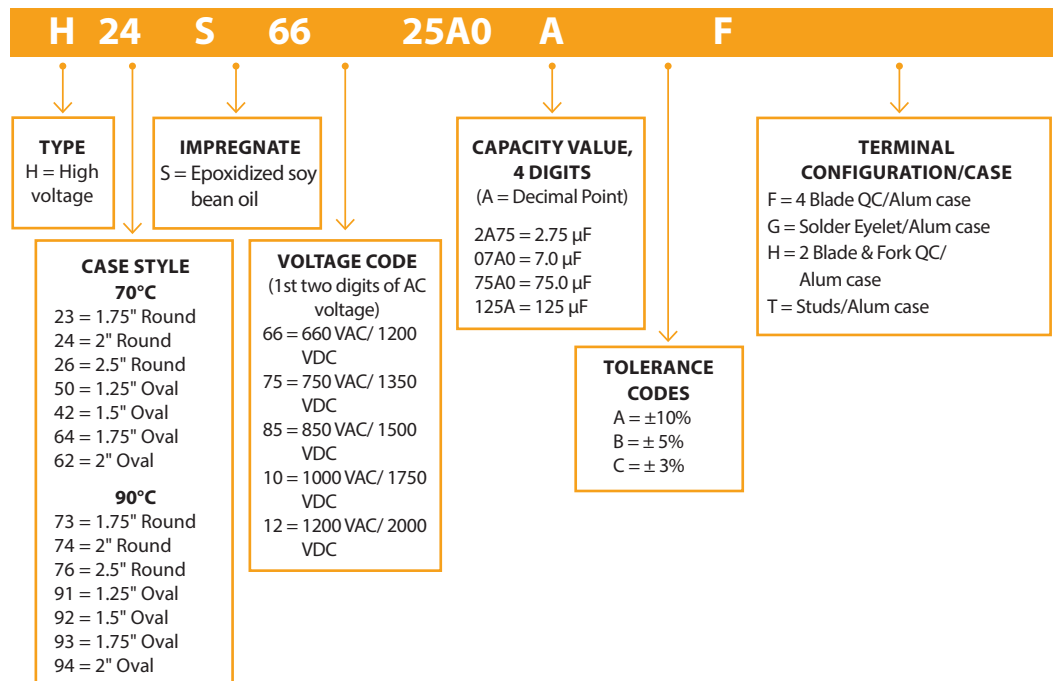


Round Size	C
1¾" Round	0.81"
2" Round	0.81"
2½" Round	1.25"

Oval Size	C
1¼" Oval	0.81"
1½" Oval	0.81"
1¾" Oval	1.38"
2" Oval	1.38"

Part Numbering System

CDE's part numbering system is a descriptive part number made up of several different components such as voltage rating, capacitance, etc. The descriptors are explained below using H24S6625A0AF as a representative part number:



CORNELL DUBILIER

1605 E. Rodney French Blvd. Tel: 508-996-8561
New Bedford, MA 02745 Fax: 508-996-3830

sales1@cde.com
www.CDE.com

High Voltage AC & DC Film Capacitors

FOR POWER ELECTRONICS APPLICATIONS

Oval Cases

Rated for 60,000 hour duty @ 70°C

CAP (μF)	CDE P/N	CASE CODE	WIDTH (Inches)	LENGTH (Inches)	CASE HEIGHT (Inches)	I _{RMS} (A _{RMS})	I _{PEAK} (A)	I _s SURGE (A)	DV/dt RATES (V/μs)	DV/dt MAX (V/μs)	ESR @ 60 HZ (mΩ)	DF (%)	WEIGHT (Pounds)
660 VAC (1,200 VDC)													
5	H50S6605A0AF	A	1.31	2.16	2.88	2.3	427	534	85	107	32	0.10	0.29
10	H50S6610A0AF	A	1.31	2.16	3.25	4.0	741	925	74	93	21	0.13	0.32
15	H50S6615A0AF	A	1.31	2.16	4.25	4.2	770	962	51	64	22	0.21	0.42
20	H64S6620A0AF	C	1.91	2.91	3.75	4.9	910	1136	45	57	15	0.19	0.68
25	H64S6625A0AF	C	1.91	2.91	4.25	6.6	1213	1515	49	61	15	0.23	0.76
30	H64S6630A0AF	C	1.91	2.91	4.75	7.2	1336	1668	45	56	17	0.32	0.65
40	H62S6640A0AF	D	1.97	3.66	3.75	13.1	2426	3030	61	76	10	0.25	0.97
50	H62S6650A0AF	D	1.97	3.66	4.75	12.0	2227	2781	45	56	12	0.30	1.19
750 VAC (1,350 VDC)													
10	H42S7510A0AF	B	1.56	2.69	3.75	4.3	788	984	79	98	35	0.22	0.56
20	H62S7520A0AF	D	1.97	3.66	4.25	10.4	1919	2397	96	120	14	0.18	0.85
30	H62S7530A0AF	D	1.97	3.66	4.25	10.8	2006	2506	67	84	15	0.29	1.08
40	H62S7540A0AF	D	1.97	3.66	5.88	10	1855	2316	46	58	24	0.59	1.44
850 VAC (1,500 VDC)													
5	H42S8505A0AF	B	1.56	2.69	2.75	4.0	735	918	147	184	32	0.10	0.42
10	H64S8510A0AF	C	1.91	2.91	3.75	5.1	938	1171	94	117	30	0.19	0.60
15	H62S8515A0AF	D	1.97	3.66	3.75	7.6	1406	1756	94	117	21	0.20	0.97
20	H62S8520A0AF	D	1.97	3.66	4.25	8.6	1587	1982	79	99	19	0.24	1.08
25	H62S8525A0AF	D	1.97	3.66	4.75	9.3	1720	2148	69	86	22	0.34	1.19
1000 VAC (1,750 VDC)													
10	H62S1010A0AF	D	1.97	3.66	3.75	6.6	1213	1515	121	152	26	0.16	0.97
15	H62S1015A0AF	D	1.97	3.66	4.75	7.2	1336	1668	89	111	28	0.26	1.19
1200 VAC (2,000 VDC)													
10	H62S1210A0AF	D	1.97	3.66	4.25	6.2	1144	1429	114	143	27	0.17	1.08
15	H62S1215A0AF	D	1.97	3.66	5.88	6.4	1175	1468	78	98	36	0.34	1.44



**CORNELL
DUBILIER**

1605 E. Rodney French Blvd. Tel: 508-996-8561
New Bedford, MA 02745 Fax: 508-996-3830

sales1@cde.com
www.CDE.com

High Voltage AC & DC Film Capacitors

FOR POWER ELECTRONICS APPLICATIONS

Round Cases

Rated for 60,000 hour duty @ 70°C

CAP (μF)	CDE P/N	CASE CODE	BASE DIAMETER (Inches)	CASE HEIGHT (Inches)	I _{RMS} (A _{RMS})	I _{PEAK} (A)	I _s SURGE (A)	dV/dt RATES (V/μs)	dV/dt MAX (V/μs)	ESR @ 60 HZ (mΩ)	DF (%)	WEIGHT (Pounds)
660 VAC (1,200 VDC)												
10	H24S6610A0AF	S	2.00	2.38	7.2	1329	1659	133	166	11	0.07	0.33
15	H23S6615A0AF	P	1.75	3.25	6.0	1111	1388	74	93	15	0.14	0.36
20	H24S6620A0AF	S	2.00	3.25	8.0	1481	1850	74	93	12	0.15	0.45
25	H24S6625A0AF	S	2.00	3.75	8.2	1517	1894	61	76	13	0.20	0.51
30	H26S6630A0AF	T	2.50	3.75	9.8	1820	2273	61	76	12	0.22	0.78
40	H26S6640A0AF	T	2.50	3.75	13.1	2427	3031	61	76	10	0.24	0.78
50	H26S6650A0AF	T	2.50	4.75	12.0	2226	2781	45	56	12	0.38	0.94
60	H26S6660A0AF	T	2.50	5.88	11.4	2110	2636	35	44	11	0.41	0.94

750 VAC (1,350 VDC)

10	H23S7510A0AF	P	1.75	4.25	9.2	1698	2120	170	212	16	0.10	0.47
15	H26S7515A0AF	T	2.50	4.25	13.8	2546	3180	170	212	12	0.11	0.86
20	H26S7520A0AF	T	2.50	4.25	13.3	2452	3062	123	153	15	0.19	1.11
25	H26S7525A0AF	T	2.50	4.75	15.0	3065	3828	123	153	13	0.21	1.11
30	H26S7530A0AF	T	2.50	4.75	15.0	3678	4594	123	153	12	0.23	1.11

850 VAC (1,500 VDC)

10	H24S8510A0AF	S	2.00	4.25	5.1	938	1171	94	117	14	0.57	0.09
15	H26S8515A0AF	T	2.50	4.25	10.7	1980	2473	132	165	17	0.16	1.11
20	H26S8520A0AF	T	2.50	4.75	14.3	2640	3298	132	165	14	0.18	1.11
25	H26S8525A0AF	T	2.50	5.88	15.0	3300	4122	132	165	13	0.20	1.11

1000 VAC (1,750 VDC)

5	H24S1005A0AF	S	2.00	4.25	7.0	1329	1659	266	332	22	0.07	0.57
10	H26S1010A0AF	T	2.50	5.88	9.0	1708	2134	171	213	19	0.12	1.11
15	H26S1015A0AF	T	2.50	5.88	14.0	2562	3200	171	213	15	0.14	1.11



**CORNELL
DUBILIER**

ENERGIZING IDEAS

1605 E. Rodney French Blvd. Tel: 508-996-8561
New Bedford, MA 02745 Fax: 508-996-3830

sales1@cde.com
www.CDE.com

High Voltage AC & DC Film Capacitors

FOR POWER ELECTRONICS APPLICATIONS

Oval Cases

Rated for 60,000 hour duty @ 90°C

CAP (μF)	CDE P/N	CASE CODE	WIDTH (Inches)	LENGTH (Inches)	CASE HEIGHT (Inches)	I _{RMS} (A _{RMS})	I _{PEAK} (A)	I _s SURGE (A)	dV/dt RATES (V/μs)	dV/dt MAX (V/μs)	ESR @ 60 HZ (mΩ)	DF (%)	WEIGHT (Pounds)
660 VAC (1,200 VDC)													
5	H91S6605A0AF	A	1.31	2.16	3.25	2.59	480	599	96	120	48	0.15	0.32
10	H92S6610A0AF	B	1.56	2.69	3.75	4.26	788	984	79	98	35	0.22	0.56
15	H93S6615A0AF	C	1.91	2.91	3.75	6.39	1183	1477	79	98	24	0.23	0.68
20	H94S6620A0AF	D	1.97	3.66	3.25	10.37	1919	2397	96	120	14	0.18	0.85
25	H94S6625A0AF	D	1.97	3.66	3.75	10.65	1971	2461	79	98	16	0.25	0.97
30	H94S6630A0AF	D	1.97	3.66	4.25	10.84	2006	2506	67	84	15	0.29	1.08
40	H94S6640A0AF	D	1.97	3.66	5.88	10.02	1855	2316	46	58	24	0.59	1.44
750 VAC (1,350 VDC)													
10	H93S7510A0AF	C	1.91	2.91	3.75	5.07	938	1171	94	117	30	0.19	0.68
15	H94S7515A0AF	D	1.97	3.66	3.75	7.60	1406	1756	94	117	21	0.20	0.97
20	H94S7520A0AF	D	1.97	3.66	4.25	8.58	1587	1982	79	99	19	0.24	1.08
25	H94S7525A0AF	D	1.97	3.66	4.75	9.30	1720	2148	69	86	22	0.34	1.19
850 VAC (1,500 VDC)													
5	H93S8505A0AF	C	1.91	2.91	2.75	4.56	843	1053	169	211	29	0.09	0.51
10	H94S8510A0AF	D	1.97	3.66	3.25	7.10	1313	1640	131	164	21	0.13	0.85
15	H94S8515A0AF	D	1.97	3.66	4.25	7.38	1366	1706	91	114	22	0.21	1.08

High Voltage AC & DC Film Capacitors

FOR POWER ELECTRONICS APPLICATIONS

Round Cases

Rated for 60,000 hour duty @ 90°C

CAP (μF)	CDE P/N	CASE CODE	BASE DIAMETER (Inches)	CASE HEIGHT (Inches)	I _{RMS} (A _{RMS})	I _{PEAK} (A)	I _S SURGE (A)	dV/dt RATES (V/μs)	dV/dt MAX (V/μs)	ESR @ 60 HZ (mΩ)	DF (%)	WEIGHT (Pounds)
660 VAC (1,200 VDC)												
5	H73S6605A0AF	P	1.75	4.25	4.59	849	1060	170	212	26	0.08	0.47
10	H73S6610A0AF	P	1.75	4.25	9.17	1698	2120	170	212	16	0.10	0.47
15	H76S6615A0AF	T	2.50	3.25	13.76	2546	3180	170	212	12	0.11	0.86
20	H76S6620A0AF	T	2.50	4.25	13.25	2452	3062	123	153	15	0.19	1.11
25	H76S6625A0AF	T	2.50	4.25	15.0	3065	3828	123	153	13	0.21	1.11
30	H76S6630A0AF	T	2.50	5.88	15.0	3678	4594	123	153	12	0.23	1.11
750 VAC (1,350 VDC)												
10	H74S7510A0AF	S	2.00	4.75	5.1	938	1171	94	117	14	0.09	0.57
15	H76S7515A0AF	T	2.50	3.75	10.7	1980	2473	132	165	17	0.16	1.11
20	H76S7520A0AF	T	2.50	4.75	14.3	2640	3298	132	165	14	0.18	1.11
25	H76S7525A0AF	T	2.50	5.88	15.0	3300	4122	132	165	13	0.20	1.11
850 VAC (1,500 VDC)												
5	H73S8505A0AF	P	1.75	4.25	6.4	1178	1471	236	294	22	0.07	0.47
10	H76S8510A0AF	T	2.50	3.75	8.2	1514	1891	151	189	22	0.14	1.10
15	H76S8515A0AF	T	2.50	4.75	12.3	2272	2837	151	189	17	0.16	1.11

About CDE

CDE is a leading provider of film capacitors for industrial, medical and specialized applications serving original equipment manufacturers (OEM) and distributors. The company has world-class design, manufacturing and testing facilities in New Bedford, Massachusetts and global manufacturing facilities in China and India to enable quick turn-around for shipping and delivery worldwide.

CDE capacitors are among the world's most reliable components. Our extensive custom design and development capabilities coupled with broad, standardized product offerings allow us to provide intelligent capacitor solutions that meet or exceed our customers' application requirements.

Our aim is to be the best and most sought after provider of capacitor solutions for specialty markets.



ENERGIZING IDEAS

1605 E. Rodney French Blvd. Tel: 508-996-8561
New Bedford, MA 02745 Fax: 508-996-3830

sales1@cde.com
www.CDE.com