

Type 400C 95 °C Long Life, Plug-in, Radial Leaded Aluminum

Very Long Life Board-Mount Type



The Type 400C is the PC-mount equivalent for Type 500C screw-terminal long life grade capacitor. It's for bus filtering applications where long life is critical like telecom systems and industrial power supplies. Type 400C delivers 2 to 3 times the life of Type 4CMC, and above 250 V it has nearly the same capacitance. Its extended cathode foil assures cool operation with heatflow from the capacitor element to the can in all mounting orientations.

Highlights

- More than 10 years life in most applications
- Ripple Currents to > 50 amps at 55 °C
- 3-leads
- Printed-circuit mounting
- Thermal-Pak™ extended cathode construction

Specifications

Temperature Range	-40 °C to +95 °C					
Rated Voltage Range	100 Vdc to 500 Vdc					
Capacitance Range	170 µF to 29,000 µF					
Capacitance Tolerance	± 20%					
Leakage Current	≤ 3 √CV µA, 4 mA max, 5 minutes					
Ripple Current Multipliers	Ambient Temperature					
	45 °C	55 °C	65 °C	75 °C	85 °C	95 °C
	2.00	1.82	1.59	1.33	1.00	0.48
	Frequency					
	50 Hz	60 Hz	120 Hz	360 Hz	1 kHz	5 kHz & up
100 to 160 V	0.80	0.85	1.00	1.05	1.08	1.08
200 to 350 V	0.80	0.83	1.00	1.15	1.20	1.20
400 to 500 V	0.78	0.80	1.00	1.30	1.40	1.40
Low Temperature Characteristics	Impedance ratio: $Z_{-20°C} / Z_{+25°C}$ ≤ 4 (100 Vdc) ≤ 3 (150–500 Vdc)					
Endurance Life Test	3000 h at full load at 85 °C Δ Capacitance ±20% ESR 200% of limit DCL 100% of limit					
Shelf Life Test	500 h at 95 °C Δ Capacitance 100% of limit ESR 100% of limit DCL 100% of limit					
Vibration	10 to 55 Hz, 0.06" and 10 g max, 2 h each plane					
RoHS Compliant						

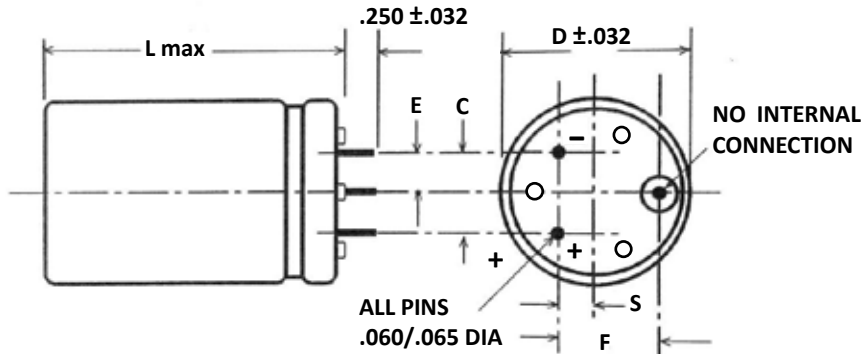
Type 400C 95 °C Long Life, Plug-in, Radial Leaded Aluminum

Very Long Life Board-Mount Type

Part Numbering System

400C Type	242 Capacitance 242 = 2400 μ F 171 = 170 μ F	M Tolerance M = \pm 20% T = -10% +50% U = -10% +75%	450 Voltage 100 = 100 V 450 = 450 V	BD Case Code see table	8 Insulation 0 = bare can 8 = PVC 9 = Polyester
-------------------	--	--	---	-----------------------------------	--

Outline Drawing



Insulated Case Dimensions

Case Code	Inches						Millimeters					
	D ±.031	L MAX	C ±.015	S ±.031	E ±.031	F ±.015	D ±.78	L MAX	C ±.78	S ±.78	E ±.78	F ±.38
AK	1.375	1.75	0.50	0.175	0.25	0.55	34.93	44.45	12.70	4.45	6.35	13.97
AA	1.375	2.25	0.50	0.175	0.25	0.55	34.93	57.15	12.70	4.45	6.35	13.97
AH	1.375	2.75	0.50	0.175	0.25	0.55	34.98	69.85	12.70	4.45	6.35	13.97
AB	1.375	3.25	0.50	0.175	0.25	0.55	34.93	82.55	12.70	4.45	6.35	13.97
AJ	1.375	3.75	0.50	0.175	0.25	0.55	34.93	95.25	12.70	4.45	6.35	13.97
AC	1.375	4.25	0.50	0.175	0.25	0.55	34.93	107.95	12.70	4.45	6.35	13.97
AD	1.375	4.75	0.50	0.175	0.25	0.55	34.93	120.65	12.70	4.45	6.35	13.97
AE	1.375	5.25	0.50	0.175	0.25	0.55	34.93	133.35	12.70	4.45	6.35	13.97
AF	1.375	5.75	0.50	0.175	0.25	0.55	34.93	146.05	12.70	4.45	6.35	13.97
EA	1.75	2.25	0.70	0.375	0.35	0.90	44.45	57.15	17.78	9.53	8.89	22.86
EH	1.75	2.75	0.70	0.375	0.35	0.90	44.45	69.85	17.78	9.53	8.89	22.86
EB	1.75	3.25	0.70	0.375	0.35	0.90	44.45	82.55	17.78	9.53	8.89	22.86
EJ	1.75	3.75	0.70	0.375	0.35	0.90	44.45	95.25	17.78	9.53	8.89	22.86
EC	1.75	4.25	0.70	0.375	0.35	0.90	44.45	107.95	17.78	9.53	8.89	22.86
ED	1.75	4.75	0.70	0.375	0.35	0.90	44.45	120.65	17.78	9.53	8.89	22.86
EE	1.75	5.25	0.70	0.375	0.35	0.90	44.45	133.35	17.78	9.53	8.89	22.86
EF	1.75	5.75	0.70	0.375	0.35	0.90	44.45	146.05	17.78	9.53	8.89	22.86
BA	2.00	2.25	0.80	0.425	0.40	1.00	50.80	57.15	20.32	10.80	10.16	25.40
BH	2.00	2.75	0.80	0.425	0.40	1.00	50.80	69.85	20.32	10.80	10.16	25.40
BB	2.00	3.25	0.80	0.425	0.40	1.00	50.80	82.55	20.32	10.80	10.16	25.40
BJ	2.00	3.75	0.80	0.425	0.40	1.00	50.80	95.25	20.32	10.80	10.16	25.40
BC	2.00	4.25	0.80	0.425	0.40	1.00	50.80	107.95	20.32	10.80	10.16	25.40
BD	2.00	4.75	0.80	0.425	0.40	1.00	50.80	120.65	20.32	10.80	10.16	25.40
BE	2.00	5.25	0.80	0.425	0.40	1.00	50.80	133.25	20.32	10.80	10.16	25.40
BF	2.00	5.75	0.80	0.425	0.40	1.00	50.80	146.05	20.32	10.80	10.16	25.40

Type 400C 95 °C Long Life, Plug-in, Radial Leaded Aluminum

Very Long Life Board-Mount Type

Ratings

Additional Low Voltages available at <http://www.cde.com/catalogs/400C.pdf>

Cap. (µF)	Catalog Part Number	ESR Max. 25 °C		Ripple Amps. 85 °C		Nominal Size D X L (in)
		120 Hz (mΩ)	20 kHz (mΩ)	120 Hz (A)	20 kHz (A)	
200 Vdc (250 Vdc Surge)						
920	400C921M200AK8	126.00	71.30	3.40	4.50	1 3/8 X 1 3/4
1400	400C142M200AA8	84.50	48.20	4.70	6.30	1 3/8 X 2 1/4
2000	400C202M200EA8	61.70	39.30	6.10	7.60	1 3/4 X 2 1/4
2000	400C202M200AH8	59.30	34.20	5.80	7.70	1 3/8 X 2 3/4
2600	400C262M200AB8	46.10	26.80	7.10	9.30	1 3/8 X 3 1/4
2600	400C262M200BA8	51.80	35.90	6.80	8.20	2 X 2 1/4
2800	400C282M200EH8	44.10	27.90	7.70	9.70	1 3/4 X 2 3/4
3200	400C322M200AJ8	38.00	22.40	8.20	10.70	1 3/8 X 3 3/4
3500	400C352M200BH8	36.70	25.10	8.70	10.50	2 X 2 3/4
3700	400C372M200EB8	34.20	21.80	9.50	11.90	1 3/4 X 3 1/4
3800	400C382M200AC8	32.50	19.50	9.40	12.10	1 3/8 X 4 1/4
4200	400C422M200AD8	29.80	17.80	10.20	13.20	1 3/8 X 4 3/4
4500	400C452M200EJ8	28.10	18.10	10.80	13.50	1 3/4 X 3 3/4
4700	400C472M200BB8	28.50	19.60	10.40	12.50	2 X 3 1/4
4800	400C482M200AE8	26.80	16.30	11.30	14.50	1 3/8 X 5 1/4
5300	400C532M200AF8	24.50	15.10	12.40	15.80	1 3/8 X 5 3/4
5400	400C542M200EC8	24.10	15.60	12.10	15.00	1 3/4 X 4 1/4
5700	400C572M200BJ8	23.50	16.30	12.80	15.40	2 X 3 3/4
6300	400C632M200ED8	21.20	13.90	13.60	16.80	1 3/4 X 4 3/4
6800	400C682M200BC8	20.10	14.10	14.00	16.70	2 X 4 1/4
7100	400C712M200EE8	19.00	12.60	15.20	18.60	1 3/4 X 5 1/4
7800	400C782M200BD8	17.80	12.50	15.30	18.30	2 X 4 3/4
8000	400C802M200EF8	17.40	11.70	17.00	20.70	1 3/4 X 5 3/4
9300	400C932M200BE8	15.60	11.20	16.90	20.00	2 X 5 1/4
10000	400C103M200BF8	14.30	10.40	18.30	21.50	2 X 5 3/4
250 Vdc (300 Vdc Surge)						
670	400C671M250AK8	160.00	87.20	3.00	4.10	1 3/8 X 1 3/4
1000	400C102M250AH8	75.10	41.50	5.20	7.00	1 3/8 X 2 3/4
1000	400C102M250AA8	107.00	58.80	4.20	5.70	1 3/8 X 2 1/4
1500	400C152M250EA8	75.70	45.90	5.50	7.10	1 3/4 X 2 1/4
1900	400C192M250AB8	58.20	32.50	6.30	8.50	1 3/8 X 3 1/4
1900	400C192M250BA8	61.90	40.50	6.20	7.70	2 X 2 1/4
2000	400C202M250EH8	54.30	32.60	7.00	9.00	1 3/4 X 2 3/4
2300	400C232M250AJ8	47.80	26.90	7.30	9.80	1 3/8 X 3 3/4
2500	400C252M250BH8	44.10	28.50	7.90	9.90	2 X 2 3/4
2700	400C272M250EB8	42.00	25.40	8.50	11.00	1 3/4 X 3 1/4
2700	400C272M250AC8	40.80	23.30	8.40	11.10	1 3/8 X 4 1/4
3000	400C302M250AD8	37.30	21.30	9.20	12.10	1 3/8 X 4 3/4
3300	400C332M250EJ8	34.50	21.00	9.70	12.50	1 3/4 X 3 3/4
3400	400C342M250BB8	34.10	22.20	9.50	11.80	2 X 3 1/4
3500	400C352M250AE8	33.40	19.30	10.10	13.30	1 3/8 X 5 1/4
3800	400C382M250AF8	30.40	17.90	11.20	14.60	1 3/8 X 5 3/4

Cap. (µF)	Catalog Part Number	ESR Max. 25 °C		Ripple Amps. 85 °C		Nominal Size D X L (in)
		120 Hz (mΩ)	20 kHz (mΩ)	120 Hz (A)	20 kHz (A)	
250 Vdc (300 Vdc Surge)						
3900	400C392M250EC8	29.40	18.10	10.90	13.90	1 3/4 X 4 1/4
4200	400C422M250BJ8	28.00	18.40	11.80	14.50	2 X 3 3/4
4600	400C462M250ED8	25.70	16.00	12.30	15.60	1 3/4 X 4 3/4
4900	400C492M250BC8	23.90	15.90	12.80	15.70	2 X 4 1/4
5100	400C512M250EE8	23.00	14.50	13.80	17.40	1 3/4 X 5 1/4
5700	400C572M250BD8	21.10	14.10	14.10	17.20	2 X 4 3/4
5800	400C582M250EF8	21.00	13.30	15.40	19.40	1 3/4 X 5 3/4
6800	400C682M250BE8	18.40	12.50	15.60	19.00	2 X 5 1/4
7500	400C752M250BF8	16.80	11.50	16.90	20.40	2 X 5 3/4
300 Vdc (350 Vdc Surge)						
490	400C491M300AK8	240.00	118.00	2.20	3.10	1 3/8 X 1 3/4
740	400C741M300AA8	161.00	79.40	3.10	4.40	1 3/8 X 2 1/4
1000	400C102M300AH8	112.00	55.80	3.80	5.40	1 3/8 X 2 3/4
1200	400C122M300EA8	102.00	51.50	4.40	6.20	1 3/4 X 2 1/4
1400	400C142M300AB8	86.20	43.40	4.70	6.60	1 3/8 X 3 1/4
1500	400C152M300BA8	92.10	47.20	5.00	7.00	2 X 2 1/4
1700	400C172M300EH8	75.00	36.90	5.50	7.80	1 3/4 X 2 3/4
1700	400C172M300AJ8	70.30	35.90	5.40	7.60	1 3/8 X 3 3/4
2000	400C202M300AC8	59.60	30.80	6.20	8.60	1 3/8 X 4 1/4
2100	400C212M300BH8	66.10	33.30	6.40	9.00	2 X 2 3/4
2200	400C222M300EB8	57.70	28.70	6.70	9.50	1 3/4 X 3 1/4
2400	400C242M300AD8	51.90	27.30	6.90	9.50	1 3/8 X 4 3/4
2700	400C272M300AE8	46.10	24.60	7.70	10.50	1 3/8 X 5 1/4
2700	400C272M300EJ8	47.10	23.70	7.70	10.80	1 3/4 X 3 3/4
2800	400C282M300BB8	50.90	25.90	7.70	10.70	2 X 3 1/4
3000	400C302M300AF8	41.60	22.60	8.50	11.60	1 3/8 X 5 3/4
3200	400C322M300EC8	41.60	21.20	8.60	12.10	1 3/4 X 4 1/4
3400	400C342M300BJ8	41.60	21.40	9.50	13.20	2 X 3 3/4
3800	400C382M300ED8	36.20	18.70	9.80	13.60	1 3/4 X 4 3/4
4100	400C412M300BC8	35.90	18.40	10.30	14.30	2 X 4 1/4
4200	400C422M300EE8	32.20	16.90	11.00	15.20	1 3/4 X 5 1/4
4700	400C472M300BD8	31.10	16.30	11.40	15.70	2 X 4 3/4
4800	400C482M300EF8	29.10	15.50	12.30	16.90	1 3/4 X 5 3/4
5600	400C562M300BE8	26.70	14.40	12.70	17.30	2 X 5 1/4
6200	400C622M300BF8	24.30	13.20	13.80	18.70	2 X 5 3/4
350 Vdc (400 Vdc Surge)						
360	400C361M350AK8	295.00	138.00	2.00	2.90	1 3/8 X 1 3/4
540	400C541M350AA8	197.00	92.90	2.80	4.00	1 3/8 X 2 1/4
800	400C801M350AH8	137.00	65.10	3.40	5.00	1 3/8 X 2 3/4
920	400C921M350EA8	123.00	58.20	4.00	5.80	1 3/4 X 2 1/4
1000	400C102M350AB8	105.00	50.60	4.20	6.10	1 3/8 X 3 1/4
1100	400C112M350BA8	109.00	52.40	4.60	6.60	2 X 2 1/4

Type 400C 95 °C Long Life, Plug-in, Radial Leaded Aluminum

Very Long Life Board-Mount Type

Additional Low Voltages available at <http://www.cde.com/catalogs/400C.pdf>

Cap. (µF)	Catalog Part Number	ESR Max. 25 °C		Ripple Amps. 85 °C		Nominal Size D X L (in)
		120 Hz (mΩ)	20 kHz (mΩ)	120 Hz (A)	20 kHz (A)	
350 Vdc (400 Vdc Surge)						
1200	400C122M350EH8	90.50	41.90	5.00	7.30	1 3/4 X 2 3/4
1200	400C122M350AJ8	85.80	41.70	4.90	7.00	1 3/8 X 3 3/4
1500	400C152M350BH8	78.60	37.10	5.80	8.50	2 X 2 3/4
1500	400C152M350AC8	72.60	35.70	5.60	8.00	1 3/8 X 4 1/4
1600	400C162M350EB8	69.50	32.50	6.10	8.90	1 3/4 X 3 1/4
1700	400C172M350AD8	63.10	31.40	6.30	8.90	1 3/8 X 4 3/4
2000	400C202M350EJ8	56.70	26.80	7.00	10.20	1 3/4 X 3 3/4
2000	400C202M350BB8	60.50	28.80	7.00	10.20	2 X 3 1/4
2000	400C202M350AE8	55.90	28.30	7.00	9.80	1 3/8 X 5 1/4
2200	400C222M350AF8	50.40	25.90	7.70	10.80	1 3/8 X 5 3/4
2400	400C242M350EC8	49.90	23.90	7.90	11.40	1 3/4 X 4 1/4
2500	400C252M350BJ8	49.40	23.80	8.70	12.60	2 X 3 3/4
2800	400C282M350ED8	43.40	21.00	8.90	12.80	1 3/4 X 4 3/4
3000	400C302M350BC8	42.50	20.40	9.40	13.60	2 X 4 1/4
3100	400C312M350EE8	38.50	18.90	10.00	14.30	1 3/4 X 5 1/4
3400	400C342M350BD8	36.80	18.00	10.50	15.00	2 X 4 3/4
3500	400C352M350EF8	34.70	17.30	11.30	16.00	1 3/4 X 5 3/4
4100	400C412M350BE8	31.50	15.80	11.70	16.50	2 X 5 1/4
4500	400C452M350BF8	28.60	14.50	12.70	17.90	2 X 5 3/4
400 Vdc (450 Vdc Surge)						
300	400C301M400AK8	341.00	116.00	1.80	3.20	1 3/8 X 1 3/4
450	400C451M400AA8	228.00	77.70	2.60	4.40	1 3/8 X 2 1/4
600	400C601M400AH8	158.00	54.40	3.20	5.40	1 3/8 X 2 3/4
750	400C751M400EA8	141.00	54.80	3.70	6.00	1 3/4 X 2 1/4
840	400C841M400AB8	122.00	42.20	3.90	6.60	1 3/8 X 3 1/4
930	400C931M400BA8	124.00	52.50	4.30	6.60	2 X 2 1/4
1000	400C102M400AJ8	99.00	34.70	4.60	7.70	1 3/8 X 3 3/4
1000	400C102M400EH8	104.00	39.60	4.60	7.50	1 3/4 X 2 3/4
1200	400C122M400AC8	83.60	29.70	5.20	8.80	1 3/8 X 4 1/4
1300	400C132M400EB8	79.50	30.70	5.70	9.20	1 3/4 X 3 1/4
1300	400C132M400BH8	89.30	37.20	5.50	8.50	2 X 2 3/4
1400	400C142M400AD8	72.60	26.10	5.80	9.80	1 3/8 X 4 3/4
1600	400C162M400AE8	64.30	23.40	6.50	10.80	1 3/8 X 5 1/4
1600	400C162M400EJ8	64.70	25.20	6.60	10.50	1 3/4 X 3 3/4
1700	400C172M400BB8	68.60	28.90	6.60	10.20	2 X 3 1/4
1800	400C182M400AF8	57.80	21.40	7.20	11.90	1 3/8 X 5 3/4
2000	400C202M400EC8	57.00	22.40	7.40	11.80	1 3/4 X 4 1/4
2100	400C212M400BJ8	55.90	23.80	8.20	12.60	2 X 3 3/4
2300	400C232M400ED8	49.50	19.70	8.40	13.20	1 3/4 X 4 3/4
2400	400C242M400BC8	48.20	20.30	8.90	13.70	2 X 4 1/4
2600	400C262M400EE8	43.90	17.70	9.40	14.80	1 3/4 X 5 1/4
2800	400C282M400BD8	41.60	18.00	9.90	15.00	2 X 4 3/4

Cap. (µF)	Catalog Part Number	ESR Max. 25 °C		Ripple Amps. 85 °C		Nominal Size D X L (in)
		120 Hz (mΩ)	20 kHz (mΩ)	120 Hz (A)	20 kHz (A)	
400 Vdc (450 Vdc Surge)						
2900	400C292M400EF8	39.50	16.10	10.60	16.60	1 3/4 X 5 3/4
3400	400C342M400BE8	35.60	15.70	11.00	16.60	2 X 5 1/4
3700	400C372M400BF8	32.20	14.40	12.00	17.90	2 X 5 3/4
450 Vdc (500 Vdc Surge)						
250	400C251M450AK8	367.00	123.00	1.80	3.10	1 3/8 X 1 3/4
370	400C371M450AA8	245.00	82.60	2.50	4.30	1 3/8 X 2 1/4
500	400C501M450AH8	170.00	57.80	3.10	5.30	1 3/8 X 2 3/4
630	400C631M450EA8	151.00	57.60	3.60	5.80	1 3/4 X 2 1/4
700	400C701M450AB8	131.00	44.80	3.80	6.50	1 3/8 X 3 1/4
780	400C781M450BA8	132.00	54.80	4.20	6.50	2 X 2 1/4
850	400C851M450AJ8	107.00	36.80	4.40	7.50	1 3/8 X 3 3/4
850	400C851M450EH8	111.00	41.70	4.50	7.30	1 3/4 X 2 3/4
1000	400C102M450AC8	89.90	31.40	5.00	8.50	1 3/8 X 4 1/4
1000	400C102M450BH8	95.40	38.90	5.30	8.30	2 X 2 3/4
1100	400C112M450EB8	85.30	32.20	5.50	9.00	1 3/4 X 3 1/4
1200	400C122M450AD8	78.00	27.60	5.60	9.50	1 3/8 X 4 3/4
1400	400C142M450AE8	69.10	24.70	6.30	10.50	1 3/8 X 5 1/4
1400	400C142M450EJ8	69.40	26.50	6.30	10.20	1 3/4 X 3 3/4
1400	400C142M450BB8	73.30	30.20	6.40	9.90	2 X 3 1/4
1500	400C152M450AF8	62.10	22.50	7.00	11.60	1 3/8 X 5 3/4
1600	400C162M450EC8	61.10	23.50	7.10	11.50	1 3/4 X 4 1/4
1700	400C172M450BJ8	59.70	24.80	7.90	12.30	2 X 3 3/4
1900	400C192M450ED8	53.00	20.70	8.10	12.90	1 3/4 X 4 3/4
2000	400C202M450BC8	51.40	21.20	8.60	13.40	2 X 4 1/4
2100	400C212M450EE8	46.90	18.50	9.10	14.50	1 3/4 X 5 1/4
2400	400C242M450EF8	42.20	16.90	10.20	16.20	1 3/4 X 5 3/4
2400	400C242M450BD8	44.40	18.80	9.50	14.70	2 X 4 3/4
2800	400C282M450BE8	37.90	16.40	10.70	16.30	2 X 5 1/4
3100	400C312M450BF8	34.30	15.00	11.60	17.60	2 X 5 3/4
500 Vdc (550 Vdc Surge)						
170	400C171M500AK8	403.00	147.00	1.70	2.80	1 3/8 X 1 3/4
260	400C261M500AA8	269.00	98.60	2.40	3.90	1 3/8 X 2 1/4
380	400C381M500AH8	187.00	68.90	2.90	4.80	1 3/8 X 2 3/4
400	400C401M500EA8	241.00	137.00	3.30	5.30	1 3/4 X 2 1/4
490	400C491M500AB8	144.00	53.20	3.60	5.90	1 3/8 X 3 1/4
510	400C511M500BA8	192.00	116.00	3.90	6.10	2 X 2 1/4
580	400C581M500EH8	167.00	95.80	4.20	6.80	1 3/4 X 2 3/4
610	400C611M500AJ8	117.00	43.60	4.20	6.90	1 3/8 X 3 3/4
710	400C711M500BH8	133.00	80.80	5.10	7.80	2 X 2 3/4
720	400C721M500AC8	133.00	77.50	4.80	7.80	1 3/8 X 4 1/4
760	400C761M500EB8	129.00	74.00	5.20	8.30	1 3/4 X 3 1/4
800	400C801M500AD8	85.80	32.60	5.40	8.70	1 3/8 X 4 3/4

Type 400C 95 °C Long Life, Plug-in, Radial Leaded Aluminum

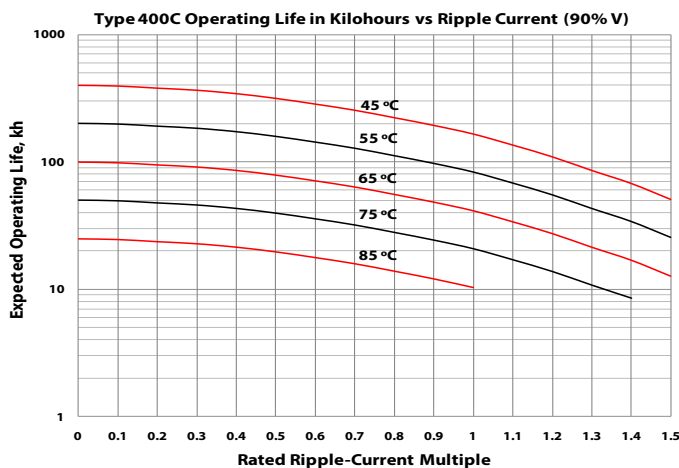
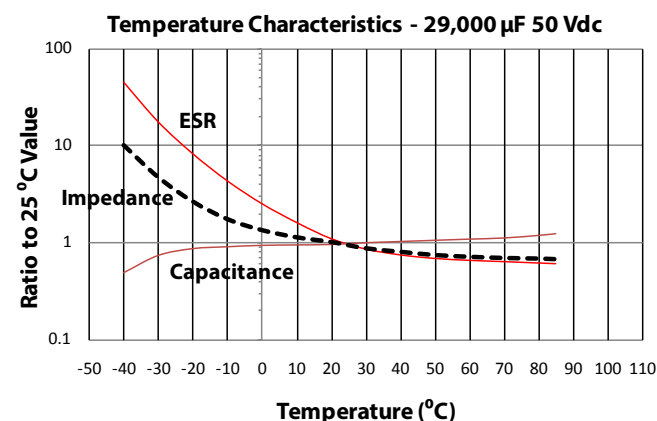
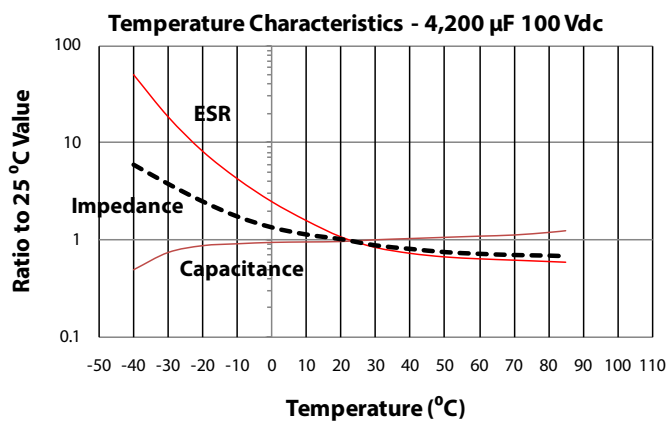
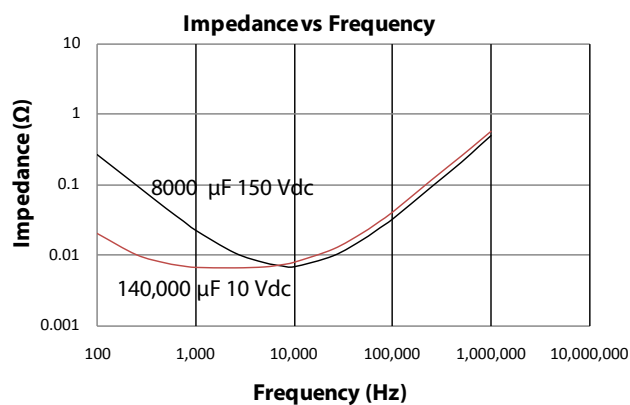
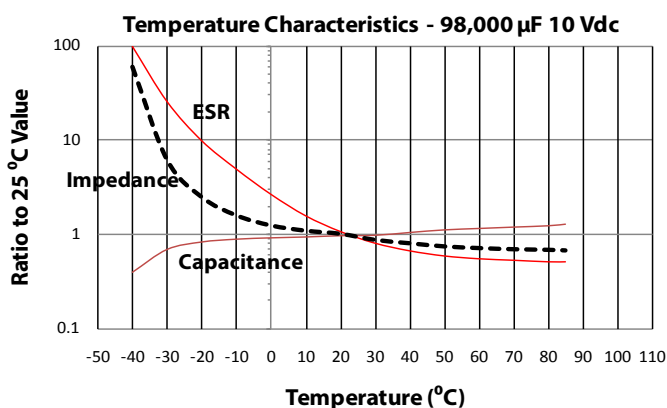
Very Long Life Board-Mount Type

Additional Low Voltages available at <http://www.cde.com/catalogs/400C.pdf>

Cap. (μ F)	Catalog Part Number	ESR Max. 25 °C		Ripple Amps. 85 °C		Nominal Size D X L (in)
		120 Hz (m Ω)	20 kHz (m Ω)	120 Hz (A)	20 kHz (A)	
500 Volts (550 Vdc Surge)						
940	400C941M500EJ8	105.00	60.60	6.00	9.50	1 3/4 X 3 3/4
950	400C951M500AE8	75.90	29.10	6.00	9.70	1 3/8 X 5 1/4
960	400C961M500BB8	103.00	62.50	6.10	9.40	2 X 3 1/4
1100	400C112M500AF8	68.30	26.40	6.60	10.70	1 3/8 X 5 3/4
1100	400C112M500EC8	88.40	51.70	6.80	10.70	1 3/4 X 4 1/4
1200	400C122M500BJ8	83.50	51.30	7.50	11.60	2 X 3 3/4

Cap. (μ F)	Catalog Part Number	ESR Max. 25 °C		Ripple Amps. 85 °C		Nominal Size D X L (in)
		120 Hz (m Ω)	20 kHz (m Ω)	120 Hz (A)	20 kHz (A)	
500 Volts (550 Vdc Surge)						
1300	400C132M500ED8	76.70	45.20	7.60	12.00	1 3/4 X 4 3/4
1400	400C142M500BC8	70.70	43.80	8.20	12.60	2 X 4 1/4
1500	400C152M500EE8	68.00	40.50	8.60	13.50	1 3/4 X 5 1/4
1600	400C162M500BD8	61.50	38.40	9.10	13.90	2 X 4 3/4
1700	400C172M500EF8	61.20	36.80	9.70	15.10	1 3/4 X 5 3/4
1900	400C192M500BE8	53.10	33.60	10.20	15.40	2 X 5 1/4
2100	400C212M500BF8	48.00	30.70	11.10	16.70	2 X 5 3/4

Typical Performance Curves



Notice and Disclaimer: All product drawings, descriptions, specifications, statements, information and data (collectively, the "Information") in this datasheet or other publication are subject to change. The customer is responsible for checking, confirming and verifying the extent to which the Information contained in this datasheet or other publication is applicable to an order at the time the order is placed. All Information given herein is believed to be accurate and reliable, but it is presented without any guarantee, warranty, representation or responsibility of any kind, expressed or implied. Statements of suitability for certain applications are based on the knowledge that the Cornell Dubilier company providing such statements ("Cornell Dubilier") has of operating conditions that such Cornell Dubilier company regards as typical for such applications, but are not intended to constitute any guarantee, warranty or representation regarding any such matter – and Cornell Dubilier specifically and expressly disclaims any guarantee, warranty or representation concerning the suitability for a specific customer application, use, storage, transportation, or operating environment. The Information is intended for use only by customers who have the requisite experience and capability to determine the correct products for their application. Any technical advice inferred from this Information or otherwise provided by Cornell Dubilier with reference to the use of any Cornell Dubilier products is given gratis (unless otherwise specified by Cornell Dubilier), and Cornell Dubilier assumes no obligation or liability for the advice given or results obtained. Although Cornell Dubilier strives to apply the most stringent quality and safety standards regarding the design and manufacturing of its products, in light of the current state of the art, isolated component failures may still occur. Accordingly, customer applications which require a high degree of reliability or safety should employ suitable designs or other safeguards (such as installation of protective circuitry or redundancies or other appropriate protective measures) in order to ensure that the failure of an electrical component does not result in a risk of personal injury or property damage. Although all product-related warnings, cautions and notes must be observed, the customer should not assume that all safety measures are indicated in such warnings, cautions and notes, or that other safety measures may not be required.