

# CDE

## Microwave Capacitors

FILM CAPACITORS FOR  
MICROWAVE APPLICATIONS



## Intelligent Capacitor Solutions



For the long life required for industrial and commercial microwaves, choose CDE capacitors. Our microwave capacitors are constructed using high quality materials and Lean Six Sigma manufacturing practices.

CDE capacitors undergo 100% electrical testing, fault current, and mechanical testing. If you have specialized needs, our flexible manufacturing processes allow us to quickly provide custom configurations.



CDE provides intelligent capacitor solutions.



## Microwave Capacitors

### FILM CAPACITORS FOR MICROWAVE APPLICATIONS



CDE Microwave capacitors are used in voltage doubler circuits in high voltage microwave oven transformers.

The robust design makes these units ideal for withstanding an AC voltage equal to two times the peak voltage of the transformer output voltage in industrial or commercial microwave applications.

#### Highlights

- Dual ratings available
- High voltage threshold for corona
- Long service life designed for industrial and commercial applications

#### Applications

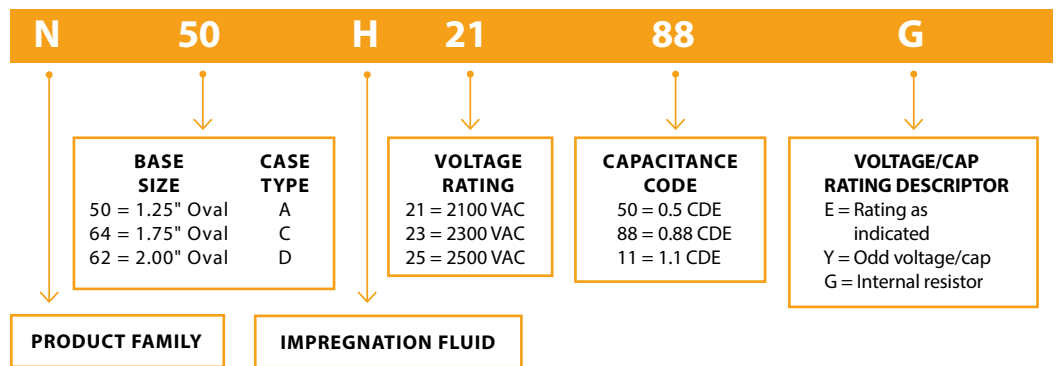
- Industrial Microwave Heating
- Commercial Microwave Ovens
- Water Purification

#### Specifications

<b>Capacitance Range:</b>	0.5 $\mu$ F to 2.0 $\mu$ F
<b>Capacitance Tolerance:</b>	$\pm$ 3%
<b>AC Voltage Range:</b>	1750 VAC to 3,000 VAC
<b>Operating Temperature:</b>	0°C to +85°C
<b>Operating Life:</b>	>3,000 hours
<b>Capacitance Stability:</b>	+1% to -1.8%; from 0°C to +85°C
<b>Approval Certification:</b>	VDE on specific models

#### Part Numbering System

The CDE part numbering system is a descriptive part number made up of several components. The descriptors are explained here using N50H2188G as a representative part number:





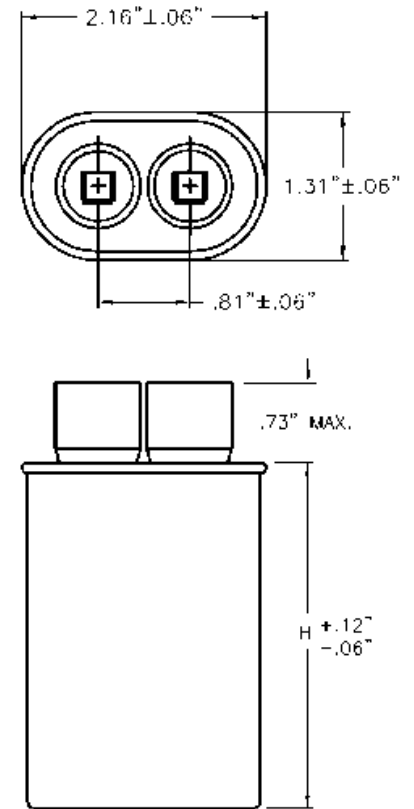
## Microwave Capacitors

Typical Sizes for VAC Professional Class 85°C

CAP (CDE)	CDE P/N	VOLTAGE (VAC)	CASE TYPE	CASE HEIGHT
0.96	N50H2596G	2500	A	3.25 in (82.6 mm)
1.15	N50H2511G	2500	A	3.75 in (95.3 mm)
1.43	N50H2514G	2500	A	4.25 in (108.0 mm)
0.50	N50H2350G	2300	A	3.75 in (95.3 mm)
0.55	N50H2355G	2300	A	3.75 in (95.3 mm)
0.56	N50H2356G	2300	A	3.75 in (95.3 mm)
0.59	N50H2359G	2300	A	3.75 in (95.3 mm)
0.72	N50H2372G	2300	A	3.75 in (95.3 mm)
0.74	N50H2374G	2300	A	3.75 in (95.3 mm)
0.80	N50H2380G	2300	A	4.25 in (108.0 mm)
0.82	N50H2382G	2300	A	4.25 in (108.0 mm)
0.85	N50H2385G	2300	A	4.25 in (108.0 mm)
0.88	N50H2188G	2100	A	4.25 in (108.0 mm)
0.90	N50H2190G	2100	A	4.25 in (108.0 mm)
1.00	N50H2110G	2100	A	4.25 in (108.0 mm)
1.10	N50H2111G	2100	A	4.75 in (120.7 mm)
1.20	N50H2112G	2100	A	4.75 in (120.7 mm)
1.30	N50H2113G	2100	A	4.75 in (120.7 mm)

## Outline Drawings

Case Type A



## About CDE

CDE is a leading manufacturer of capacitors for industrial, medical and specialized applications, with world-class design, manufacturing and testing facilities in New Bedford, MA. Global manufacturing facilities in China and India enable quick turn-around for shipping and delivery worldwide.

CDE capacitors are among the world's most reliable components. Our extensive custom design and development capabilities coupled with broad, standardized product offerings allow us to provide intelligent capacitor solutions that meet or exceed customers' application requirements.

Our aim is to be the best and most sought after provider of capacitor solutions for specialty markets in the world by achieving the highest level of customer satisfaction with extraordinary emphasis on the creation of value and speed to market.



1605 E. Rodney French Blvd. Tel: 508-996-8561  
New Bedford, MA 02745 Fax: 508-996-3830

sales1@cde.com  
www.CDE.com